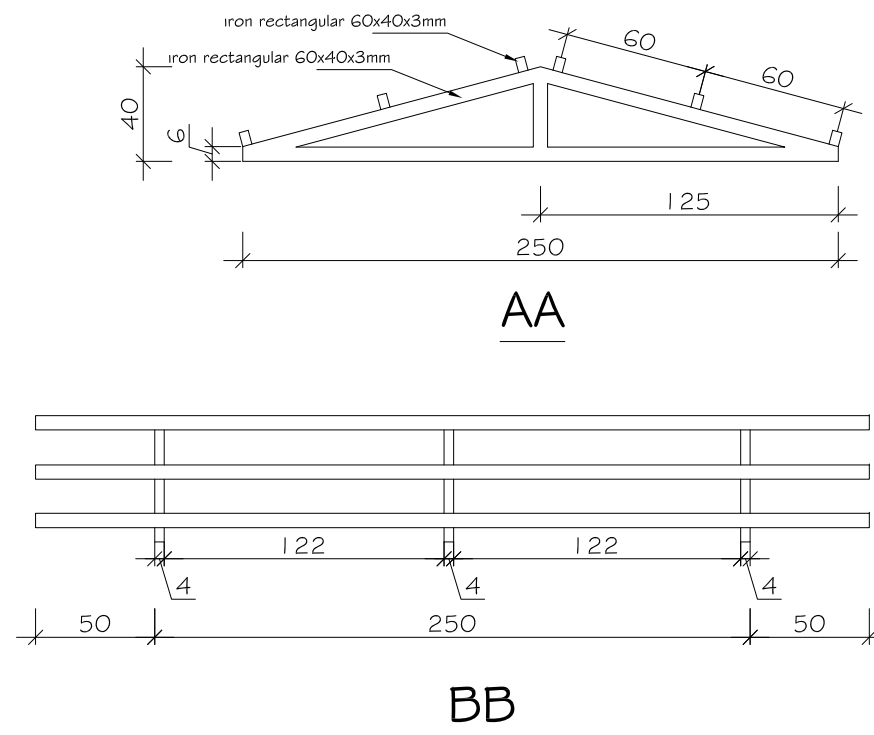
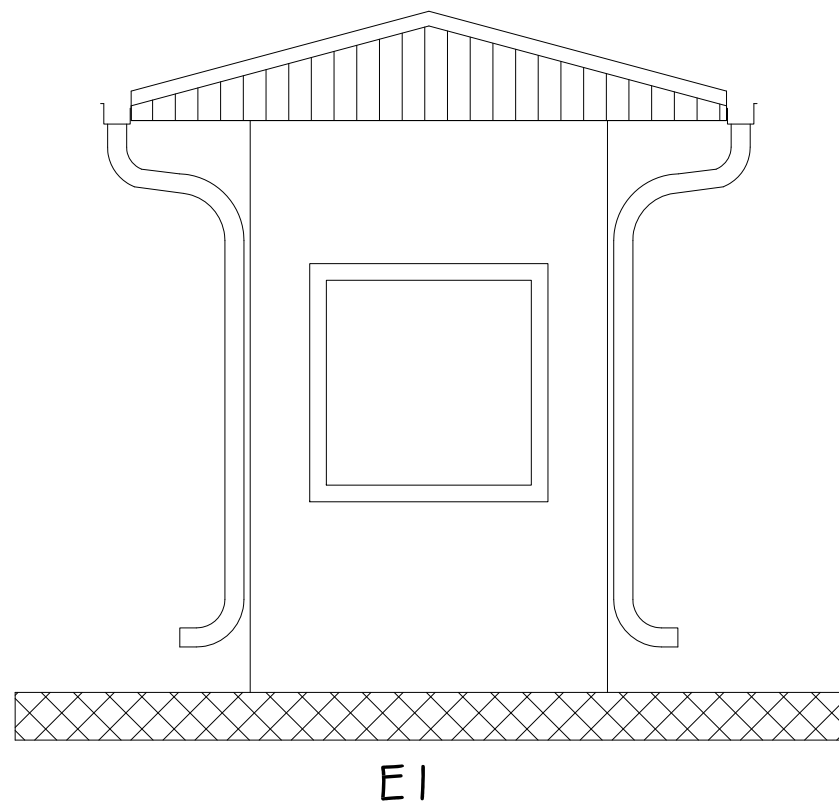


roof structure 3d view



PROJECT TITLE:	 roof cover for guardhouse
LOCATION:	PRISHTINA
DRAWING TITLE:	ROOF COVER - MODEL 2&4

APPROVED BY:	
CHECKED BY:	
DESIGNED BY:	EULEX-BMS
SCALE:	nts
UNITS	cm
DRAWING NO:	A-02
DATE:	December 2013